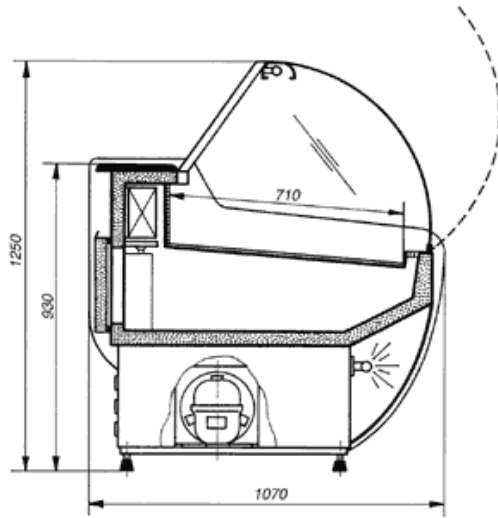


European Service Case (WSGS)

Deli, cheese, fresh meat, fish and salads



Standard:

- Curved front glass
- Mirror finish interior with SS floor
- Granite back counter
- ABS sides
- Interior lighting
- Temperature control with thermometer
- Automatic defrosting
- Gravity coil system
- Front window defogger
- Double Duty complete with refrigerated bottom storage
- S/S bottom panel
- Environment friendly R 507

Technical Data:

Model W	Length (Inch)	Depth (Inch)	Height (Inch)	Capacity (HP)	Voltage / Amps	Weight lbs.
12 SGS	49	42	51	1/3	115/8	315
18 SGS	73	42	51	1/2	115/16	421
24 SGS	94	42	51	2x1/3	115/16	494
30 SGS	122	42	51	2x1/2	115/16	626

Optional:

- Self contained
- Possibility of multiplexing
- Units are available with a divider
- More sizes are available



Atlanta Ltd

133 The West Mall, Unit 9
 Toronto ON M9C 1C2
 416 626 7210

The equipment is designed to operate under normal environmental conditions being below 75°F / 24°C ambient, 55% Relative Humidity.