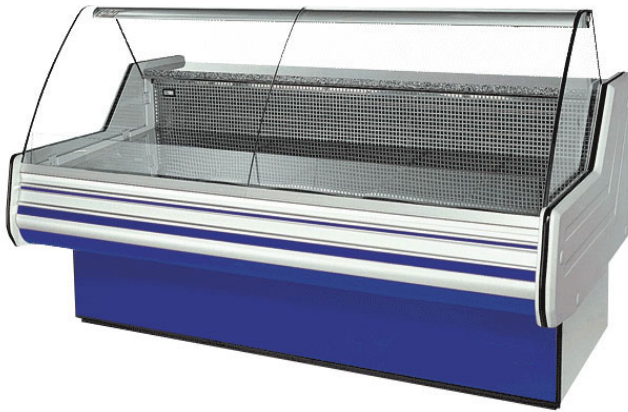


European Service Case (WN)

Deli, cheese, fresh meat, fish and salads

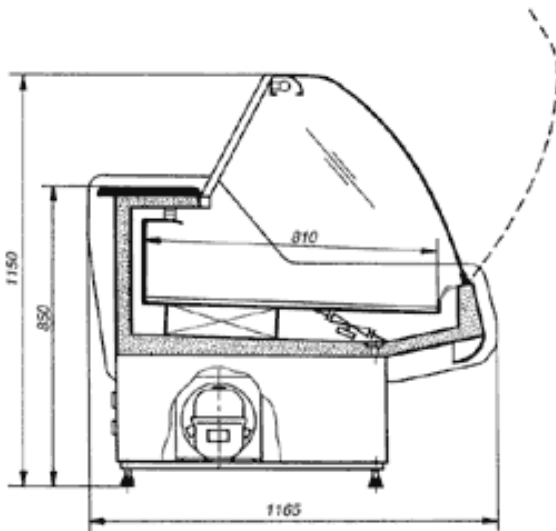


Standard:

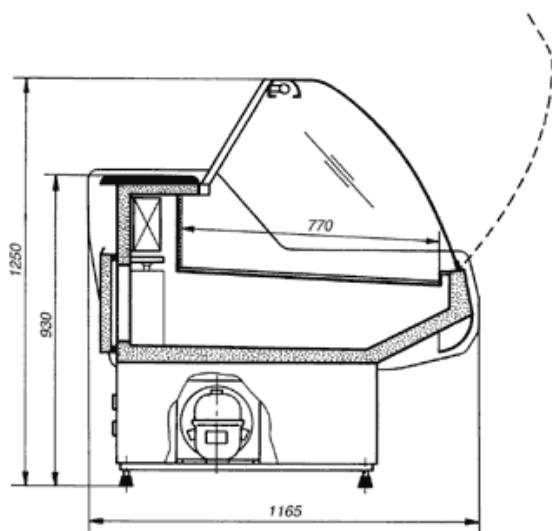
- Curved front glass
- Mirror finish interior with SS floor
- Granite back counter
- ABS sides
- Interior lighting
- Digital thermometer
- Automatic defrosting
- Front window defogger
- Double Duty complete with refrigerated bottom storage
- Environment friendly R 507

Technical Data:

Model W	Length (Inch)	Depth (Inch)	Height (Inch)	Capacity (HP)	Voltage / Amps	Weight lbs.
12 N	49	46	51	1/3	115/8	324
18 N	73	46	51	1/2	115/16	465
24 N	94	46	51	2x1/3	115/16	582
30 N	122	46	51	2x1/2	115/16	771



Forced-Air Refrigeration System



Gravity Coil Refrigeration System

Optional: S/S bottom panel, self contained, possibility of multiplexing, cases only

The equipment is designed to operate under normal environmental conditions being below 75°F / 24°C ambient, 55% Relative Humidity.