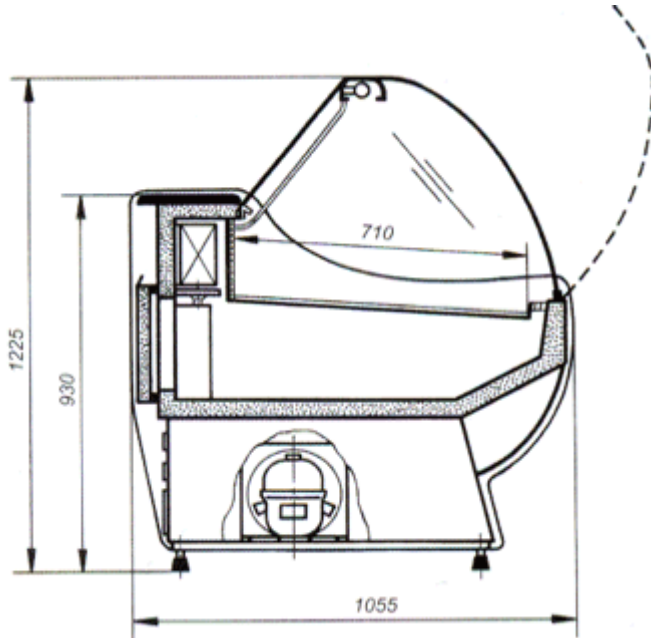


# European Service Case (WG)

Deli, cheese, fresh meat, fish and salads



## Standard:

- Curved front glass
- Mirror finish interior with SS floor
- Granite back counter
- ABS sides
- Interior lighting
- Temperature control with thermometer
- Automatic defrosting
- Gravity coil system
- Front window defogger
- Double Duty complete with refrigerated bottom storage
- Environment friendly R 507

## Technical Data:

Model W	Length (Inch)	Depth (Inch)	Height (Inch)	Capacity (HP)	Voltage / Amps	Weight lbs.
<b>12 G</b>	49	42	51	1/3	115/8	304
<b>18 G</b>	73	42	51	1/2	115/16	414
<b>24 G</b>	94	42	51	2x1/3	115/16	529
<b>30 G</b>	122	42	51	2x1/2	115/16	661

## Optional:

- S/S bottom panel
- Self contained
- Possibility of multiplexing
- Units are available with a divider
- More sizes are available



## Atlanta Ltd

133 The West Mall, Unit 9  
 Toronto ON M9C 1C2  
 416 626 7210

The equipment is designed to operate under normal environmental conditions being below 75°F / 24°C ambient, 55% Relative Humidity.