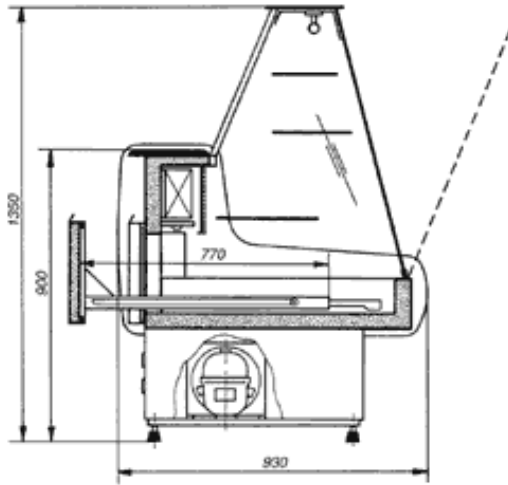


European Pastry Case (C)

Standard:



- Flat front glass
- Flat glass top
- Mirror finish interior with SS floor
- Granite work top (width 30mm)
- Stainless steel pull out display drawer.
- Two leveled interior lighting
- Temperature control with thermometer
- ABS sides
- Automatic defrosting
- Side gravity coil
- Environment friendly R 507

Optional:

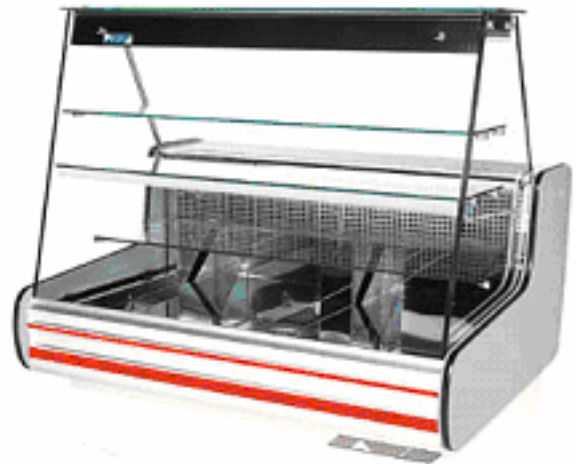
- Two highest glass shelves are not cooled

- Self contained
- Possibility of multiplexing
- Cases only (no compressor)

Technical Data:

Model#	Length (Inch)	Depth (Inch)	Height (Inch)	Capacity (HP)	Voltage / Amps	Weight lbs.
C 12	48	37	54	1/3	115/8	346
C 14	56	37	54	1/3	115/8	385
C 16	64	37	54	1/2	115/8	423
C 20	80	37	54	1/2	115/8	445

- Model 20 is available with a divider
- Standard: SS bottom panel



Atlanta Ltd

133 The West Mall, Unit 9
 Toronto ON M9C 1C2
 416 626 7210

The equipment is designed to operate under normal environmental conditions being below 75°F / 24°C ambient, 55% Relative Humidity.